

(19)



(11)

EP 1 540 099 B1

(12)

EUROPEAN PATENT SPECIFICATION

(45) Date of publication and mention of the grant of the patent:
17.07.2013 Bulletin 2013/29

(51) Int Cl.:
E04B 1/64 (2006.01) E04G 23/02 (2006.01)

(21) Application number: **03797232.0**

(86) International application number:
PCT/EP2003/008790

(22) Date of filing: **07.08.2003**

(87) International publication number:
WO 2004/027177 (01.04.2004 Gazette 2004/14)

(54) METHOD FOR REPAIRING, WATERPROOFING, INSULATING, REINFORCING, RESTORING OF WALL SYSTEMS

VERFAHREN ZUM REPARIEREN, WASSERDICHTMACHEN, ISOLIEREN, VERSTÄRKEN, WIEDERHERSTELLEN VON WANDSYSTEMEN

PROCEDE PERMETTANT DE REPARER, D'IMPERMEABILISER, D'ISOLER, DE RENFORCER ET DE RESTAURER DES SYSTEMES

(84) Designated Contracting States:
AT BE BG CH CY CZ DE DK EE ES FI FR GB GR HU IE IT LI LU MC NL PT RO SE SI SK TR
Designated Extension States:
AL LT LV MK

(72) Inventor: **CANTERI, Carlo**
I-37021 Bosco Chiesanuova (IT)

(30) Priority: **19.09.2002 IT MI20021995**

(74) Representative: **Modiano, Micaela Nadia et al**
Modiano & Partners (IT)
Via Meravigli, 16
20123 Milano (IT)

(43) Date of publication of application:
15.06.2005 Bulletin 2005/24

(56) References cited:
DE-A- 19 928 339 DE-C- 19 653 282
US-B1- 6 309 493

(73) Proprietor: **Uretek S.r.l.**
37021 Bosco Chiesanuova (Verona) (IT)

EP 1 540 099 B1

Note: Within nine months of the publication of the mention of the grant of the European patent in the European Patent Bulletin, any person may give notice to the European Patent Office of opposition to that patent, in accordance with the Implementing Regulations. Notice of opposition shall not be deemed to have been filed until the opposition fee has been paid. (Art. 99(1) European Patent Convention).

Description

Technical Field

[0001] The present invention relates to a method for repairing and/or waterproofing and/or insulating and/or reinforcing and/or restoring the structural integrity of wall systems. In particular, the method according to the invention is capable of increasing the mechanical strength of a wall system and/or of decreasing its permeability to flows of water and/or of reducing its thermal conductivity and/or other properties and can be performed even in the presence of water.

Background art

[0002] Walls or wall systems that constitute buildings are generally produced by superimposing or arranging side by side blocks of stone or brick or other materials, with the interposition of a binder based on lime or cement or other binding materials, without the presence of voids or cavities.

[0003] Usually design sizing of such buildings is carried out in fact by considering the entire cross-section of the wall system as reactive, i.e., it is assumed that all of the cross-section of the masonry is involved in the support of the overlying loads; in other words, the presence of voids or cavities inside the wall system is excluded. In terms of strength, the design takes into account an allowable tension for the masonry that is determined by the contribution provided by the strength of the block of brick or stone or other material and by the contribution provided by the strength of the binder used, also by means of laboratory tests.

[0004] Once the building has been completed, as time goes by, the bed of binder that is interposed between the blocks or part of the blocks themselves can be disaggregated by the surrounding action produced by water or air or other agents, or can be conveyed elsewhere by filtering streams or can be altered by the chemical action induced by various phenomena, including atmospheric ones.

[0005] This reduction of material within the wall cross-section causes the presence of voids of various sizes, with a consequent net reduction of the effective resisting cross-section, a reduction in the allowable tension or an increase in permeability and other effects.

[0006] In some cases, this reduction in strength can cause the collapse of the building.

[0007] In other cases, entirely intact wall systems which however contain voids might no longer perform their function correctly because they are subjected to boundary or limit conditions that were not planned for during design, such as for example the generation of tensions affecting the wall system with a different intensity or direction with respect to the design, or the presence of fluid adjacent to the walls of the wall systems, with consequent filtering motions between the blocks, or the need for greater thermal insulation on the part of the wall

system, or the need to improve the cohesion of the wall structure, or other conditions.

[0008] Various systems are known for ensuring in any case the securing of the masonry and its regeneration.

5 These are generally systems that tend to rebuild the wall body by means of so-called "stitch and unstitch" operations, i.e., delicate operations that consist in partial removals of deteriorated bodies, combined with temporary supports of the complementary masonry with auxiliary structures such as props, boards, ties, or others and the complete replacement of the removed parts. This method, in addition to being highly invasive, requires very long execution times and very high costs.

[0009] Other wall consolidation systems are known which consist in "choking", or "hooping", or the like, the deteriorated masonry. These systems provide for the aid of auxiliary elements to ensure the recovery of the strength of the wall body, such as for example props, ribs, bars or others. These methods, in addition to being highly invasive, modify the original structure and geometry of the wall body, introducing new metallic elements or others that remain visible to the observer. The costs for the application of these methods are generally very high.

25 **[0010]** Moreover, other systems are known which provide for the injection, horizontally or in any case at right angles to the two larger opposite faces, in the wall system, of cement or chemical mixtures, possibly with additives, in order to fill the voids that have formed. The injections performed horizontally and at right angles to the surface of the wall, in order to ensure that all the voids are reached, must be very numerous, also for the reasons that will become better apparent hereinafter, and therefore the procedure becomes long and onerous. Moreover, the mixtures used, which generally do not expand or have extremely low degrees of expansion, are injected at low pressure by using electric pumps or other devices or by gravity, most of all to avoid the risk of damaging the walls irreversibly. In the methods described above, therefore, a non-expanding or low-expanding material is used which, again to avoid damaging the wall system irreversibly, has a negligible expansion force (which may even not be known) that is most of all uncontrolled and impossible to dissipate.

45 **[0011]** For all of these reasons, with these methods it is very difficult to ensure both the filling of the all the voids, including the ones located furthest from the injection point, and the complete filling of vertically extended cavities. Finally, indeed because of the cited characteristics, these methods are unable to induce in the masonry a state of tension whereby the mechanical characteristics of the wall system are improved considerably with respect to the situation prior to the intervention.

55 **[0012]** wall sealing methods, as set forth above, are disclosed by DE 196 53 282 and US 6 309 493.

Disclosure of the Invention

[0013] The aim of the present invention is to provide a method that allows to repair and/or waterproof and/or insulate and reinforce and/or restore the structural integrity of wall systems effectively and durably and with execution costs that are distinctly lower than those of the systems currently in use.

[0014] Within this aim, an object of the invention is to provide a method that can be adopted without problems even if the wall system or part thereof is immersed in water.

[0015] Another object of the invention is to provide a method that does not require the complete replacement of the elements that constitute the deteriorated wall system and does not provide for the use of auxiliary structures, including visible ones, suitable to increase the allowable strength of the system or the resisting cross-section of said masonry or decrease its permeability.

[0016] Another object of the invention is to provide a method that is simple and rapid to perform, ensures the safety of the building during and after the execution of the method, allows to reconstitute the structural integrity of the wall system, and ensures a distinct decrease in the permeability of the wall system and/or ensures a reduction in its thermal conductivity.

[0017] This aim and these and other objects that will become better apparent hereinafter are achieved by a method for repairing and/or waterproofing and/or insulating and/or reinforcing and/or restoring the structural integrity of wall systems, according to the invention, that has the steps set forth in claim 1.

Brief description of the drawings

[0018] Further characteristics and advantages of the invention will become better apparent from the description of a preferred but not exclusive embodiment of the method according to the invention, illustrated only by way of non-limitative example in the accompanying drawings, wherein:

Figure 1 is a schematic view showing injection of the expanding substance through an injection hole formed in a wall system;

Figure 2 is a schematic view illustrating the result of the expansion and consolidation of the expanding substance if it is injected while the injection tube is gradually retracted upward along the corresponding injection hole;

Figure 3 is a schematic view illustrating the result of the expansion and consolidation of the expanding substance if it is injected without retracting the tube; Figure 4 is a view illustrating the result of the expansion of the injected substance in the case of injections in multiple injection holes formed along the extension of a fractured wall system;

Figures 5, 6 and 7 are views illustrating treatment

methods prior to injection if the wall system has large cavities that lead to the outside of the wall system; Figure 8 is a view illustrating the monitoring of the injection achieved by introducing in the wall system piezometer pipes filled with water.

Ways of carrying out the invention

[0019] With reference to the cited figures, the method according to the invention substantially consists in producing, in a wall system 1 that contains voids or cavities 2, injection holes 3 which are spaced and whose number varies according to the requirements and the conditions of deterioration of the wall system 1.

[0020] The injection holes 3 preferably run along directions that are substantially perpendicular to the surface of maximum extension of the cavities 2 inside the wall system 1.

[0021] If, as occurs more frequently, the wall system 1 is extended vertically, the injection holes 3 are preferably produced with a direction that is vertical or slightly inclined with respect to the vertical, since, as it has been assessed, the larger cavities 2 inside the wall system 1 are generally arranged horizontally (for example a wall of bricks), so as to be able to pass through the largest possible number thereof with every single injection hole 3. Said injection holes 3 can be provided directly in the wall system 1, selectively, with different lengths according to the specific requirements established on the basis of previous study of the structure and preferably with a distance between two contiguous injection holes that can vary between 0.20 and 2.00 m.

[0022] The injection holes 3 can have variable dimensions according to the specific requirements, in any case with a diameter preferably comprised between 4 mm and 40 mm. In some cases it may be necessary to provide the injection holes 3 in a direction other than vertical but in any case between the planes of arrangement of the two larger opposite faces of the wall system 1.

[0023] The depth of the injection holes 3 also can vary according to the specific requirements, as will become better apparent hereinafter.

[0024] Injection tubes 4 are then inserted or driven into the injection holes 3; said tubes are made of copper, PVC, steel or other material, and are suitably constituted by and/or treated with lubricating material in order to facilitate their sliding along the corresponding injection hole 3.

[0025] Then a selected substance 5, called hereinafter "substance" that expands after injection by chemical reaction is injected through the injection tubes 4 into the wall system 1.

[0026] Preferably, during the injection the injection tubes 4 are gradually retracted along the corresponding injection hole 3 in the opposite direction with respect to the direction of insertion, so that the substance 5 distributes in the plurality of cavities 2 that the injection hole 3 passes through or are connected thereto, with the purpose of involving, with a single operation, a vast volume

of wall system 1 and of filling with the substance 5 a plurality of voids, interstices and cavities.

[0027] In the most frequent case of a wall system 1 that is extended vertically and therefore has injection holes 3 that run vertically or are slightly inclined with respect to the vertical, the injection tubes 3 are gradually retracted upward, during the injection of the substance 5, at a rate that is preferably variable, as will become better apparent hereinafter.

[0028] The selected substance 5, once injected, as a consequence of a chemical reaction among its components, expands with a potential volume increase comprised between 2 and 5 times the volume of the substance before expansion and generates a maximum expansion pressure in conditions of complete confinement that is normally comprised between 20 kPa and 200 kPa, and is in any case selected to be always lower than the bursting limit pressure of the wall system 1 being treated.

[0029] The maximum expansion pressure of said substance 5, as it has been established by way of studies carried out while devising the present method, greatly decreases for a minimal increase in volume of said substance as a consequence of the chemical reaction, and so as to ensure, if completely confined within a saturated wall cavity, a considerable reduction of the expansion pressure after minimal expansion and therefore after any minimal and tolerable deformations of the surrounding wall elements. In particular, it has been established that said substance has a strong reduction in maximum expansion pressure following an expansion thereof of even less than 5% of its initial volume. The term "dissipable" used in the present document, in this connection, is intended to express the mentioned concept.

[0030] The used, selected substance 5, before expansion, has a permeability coefficient preferably equal to 10⁻⁹ m/s.

[0031] The substance 5 has, before the beginning of the chemical expansion reaction, an average viscosity comprised between 200 mPa·s and 300 mPa·s at 20 °C and in any case suitable to ensure the easy permeation of the cavities that can be reached by it as it exits from the injection tube 4 in the wall system 1.

[0032] The substance 5 has a reaction time, i.e., the time interval between its introduction in the injection tube 4 and the beginning of the expansion process, that is normally comprised between 3 seconds and 60 seconds so as to avoid, depending on the thickness and characteristics of the wall system 1 to be subjected to the intervention, both an excessive escape of the substance 5 from the treated masonry and a partial permeation of the voids that are present inside the wall system 1.

[0033] Directly after the beginning of the expansion process, the substance 5 rapidly increases its viscosity until it becomes solid, i.e., with a viscosity that tends to infinity, once the reaction has ended; this time period is preferably comprised between 20 and 150 seconds.

[0034] This characteristic is very important, also because it allows to inject the substance 5 even into wall

systems in direct contact with moving water without the risk of washing it away and therefore conveying it out of the wall system. Moreover, said substance 5 is capable of performing regular expansion regardless of the presence of surrounding water.

[0035] Once it has expanded and consolidated, the substance 5 cannot be altered by the presence of water, even if said water contains acids and/or rich in sulfates and/or carbonates and/or salts in general.

[0036] Once consolidation has occurred, the substance 5 has good mechanical characteristics, at least equal to those of the disaggregated material that the substance 5 has replaced. These mechanical characteristics can be defined beforehand, within a certain margin, since they depend on the density of said substance 5 after expansion, which is directly a function of the density of the substance 5 expanded in free air and of the amount of substance introduced during the injection step.

[0037] In particular, said substance 5, once it has consolidated, preferably, is selected so as to have a tensile strength substantially between an average of 180 N/cm² at a density of 200 kg/m³ and 800 N/cm² at a density of 500 kg/m³, and a compression strength substantially between an average of 200 N/cm² at a density of 200 kg/m³ and 1300 N/cm² at a density of 500 kg/m³, a property whereby it improves the mechanical characteristics of the treated wall system 1 even with respect to its original conditions, especially if one considers that usually the density of the injected and consolidated substance 5 is higher than 500 kg/m³ and therefore its tensile strength and compression strength are even higher than indicated above, while the tensile strength of conventional binders is practically zero.

[0038] The substance 5, once it has expanded and consolidated, has a lower relative density than water.

[0039] The selected substance 5 is conveniently constituted by a mixture of expanding polyurethane foam, preferably a closed-cell polyurethane foam. Said substance 5 can be constituted, for example, by a two-part (component) foam that is mixed inside a mixing unit of a known type, not shown for the sake of simplicity, which is connected to the injection tubes 4 and is served by a pump that ensures the pressure required to inject the substance through the injection tubes 4. The first component can be a mixture of polyols comprising a polyether polyol, a catalyst and water, such as that available under the name Uretek Hydro CP 200 A manufactured by the Dutch company Resina Chemie. The second component can be an MDI isocyanate, such as that available under the name Uretek Hydro CP 200 B manufactured by the same company. The mixing of these two components produces an expanding polyurethane foam whose density, at the end of expansion in free air (i.e., without confinement), is at least equal to 200 kg/m³ and varies according to the volume of the cavities 2 that are present in the wall system 1 and to the resistance opposed by the walls that delimit said cavities 2.

[0040] Clearly, it is also possible to use other expand-

ing substances that have similar properties without thereby abandoning the scope of the protection of the present invention.

[0041] According to the requirements, the substance 5 can be injected, through the injection tubes 4 inserted in the injection holes 3, formed beforehand in the wall system 1, in a single injection step or, selectively, with partial interruptions, as shown in Figures 1, 2 and 4, starting from below, while the injection tube 4 is gradually retracted upward at a rate that is preferably adjusted according to the pressure and/or flow-rate of injection of the substance 5.

[0042] If necessary, the substance 5 can also be introduced selectively by performing localized injections in specific points of the wall system 1 selected by appropriate engineering criteria, for example, where there is a greater presence of voids or where there are water infiltrations, or where there is a structural discontinuity or other condition. In this last case, the injection tubes 4 are not necessarily retracted but can be left inside the wall system 1, as shown in Figure 3. In this case also, it can be useful to measure the pressure and/or flow-rate of injection of the substance 5 in order to check that the cavities 2 are filled completely and therefore decide to interrupt the injection.

[0043] The pressure and flow-rate of injection can be measured constantly by means of a monitoring system that comprises a pressure gauge and/or a flow-rate measurement device of a known type, which are not shown for the sake of simplicity and are arranged upstream of the inlet of the injection tube 4 between said inlet and the mixer, for example on an injection nozzle, of a known type, of an injection device, that connects the mixer to the corresponding injection tube 4, so as to achieve complete filling of the cavities 2 before starting the retraction of the injection tube 4 or interrupting the injection of the substance 5.

[0044] In particular, an example is given of the importance of the use of injection monitoring by means of the instruments cited above arranged on the injection nozzle. This example is given merely by way of non-limitative indication: assuming that the characteristics of the intact wall system are already measured and known, so that the maximum pressure that can be withstood by the masonry, i.e., the limit bursting pressure (20 bar) divided by the safety coefficient (10), is 2 bar, the injection process is selectively performed by limiting the injection pressures in the steady state between 0 and 2 bar.

[0045] As the injection pressures measured by the pressure gauge vary, the retraction rate of the injection tube 4 varies proportionally.

[0046] When the pressure measured by the pressure gauge located on the injection nozzle is 0 bar, the injection tube 4 is retracted at the rate of 0 meters per minute; when the pressure measured by the pressure gauge located on the injection nozzle tends to, but is in any case lower than, 2 bar, the injection tube 4 is retracted at the rate of 3 meters per minute; when the pressures meas-

ured by the pressure gauge located on the injection nozzle are between 0 and 2 bar, the retraction rate of the injection tube 4 varies proportionally between 0 and 3 meters per minute. The parameters described above, by way of example, can be varied even considerably as a function of the characteristics of the wall system 1 that vary.

[0047] If a prolonged induction of overpressure occurs suddenly and instantaneously and is measured by the pressure gauge located on the injection nozzle up to 10 bar (a value that is in any case lower than the bursting limit pressure of the masonry) and/or if a substantial decrease or stoppage in delivery measured by the flow-rate measurement device occurs, a safety valve or the like stops the injection stream through the feeding tube that exits from the injection nozzle, deactivating the system and therefore the injection of the substance 5. The induction of overpressure must be prolonged and must last generally between 2 and 10 seconds, depending on the type of masonry. For very rapid overpressure peaks (generally shorter than 2-10 seconds), it has been observed that the masonry is in any case capable of tolerating certain pressures, which are in any case lower than the bursting limit pressure, without necessarily undergoing deformation. In some cases, moreover, the occurrence of overpressure peaks helps to achieve more complete permeation of the voids on the part of the substance 5 in the wall system. It has been established that for substances whose viscosity is higher than the preferred viscosity cited above, the induction of overpressure produces very small benefits of higher permeation, offset by high risks of bursting the wall system.

[0048] In the manner described, maximum safety is ensured and risks of collapse of the wall system are avoided, ensuring complete permeation thereof.

[0049] The flow-rate measurement device and the pressure gauge furthermore allow to manage the injection, avoiding excessive outflows of the substance 5 from the wall system 1; if the dispensed flow-rate is excessively high, the injection can in fact be interrupted, checking the wall system visually or with destructive or non-destructive tests in order to determine whether there are excessive dispersions of the substance 5 outside the wall system 1.

[0050] This selectable system to be used to control continuously the injection and retraction rate of the injection tubes 4 can be of the programmable type, so that it can be applied to wall systems that have different characteristics.

[0051] The injection tubes 4 have, at one of their axial ends, an inlet that is designed to be connected to the injection nozzle and, at or proximate to their opposite axial end, one or preferably a plurality of outlets for the substance 5. In the case of multiple outlets, the sum of the individual passage sections of said outlets is preferably larger than the passage section of the inlet to which the injection nozzle is applied. This characteristic produces, among other effects, a greater uniformity of dis-

tribution of the substance 5 in the wall system 1, a lower risk of sudden increases in pressure caused by obstruction of the injection duct, constituted by the injection tube 4 and/or by the injection hole 3, or by the filling of sealed cavities present in said wall system and a reduction in the outflow rate of the substance 5 from the injection duct, with a consequent reduction of the risk of escape from the wall system 1.

[0052] Once injected, solely with the pressure induced by the pump, the substance 5, owing to its low viscosity (whose preferred values are cited above) tends to enter, before expansion, all the cavities 2 that are more easily accessible in the wall system and expansion starts. This behavior causes the controlled filling of the occupied cavities 2 and propels the substance 5 further into the less accessible cavities, consequently filling them. The controlled and dissipable expansion pressure of the substance 5 avoids significant and dangerous breakages and deformations in the wall system 1. All the solid elements that constitute the wall system 1 that surrounds the injection hole are surrounded by a film of expanded substance whose dimensions are substantially equal to those of the preceding empty interstices, assuredly placed under tension again. Any fluids that are present in cavities of the wall system are expelled by the expansion pressure of the substance 5, and all the stone or brick blocks that constitute the solid skeleton of the wall system are reaggregated without being subjected to excessive tensions. If the wall system is immersed in water or in the ground below the water table level, an expanding substance is used which reacts independently of the presence of water and is not altered by it during the expansion process or after consolidation has occurred. For example, the mentioned Uretek Hydro CP 200 A expands solely by virtue of the water contained therein, since it is a halogen and totally devoid of propellant compounds such as CFCs, HFCs, HCFCs and CFs. In other words, the chemical reaction of expansion occurs without absorbing water from the surrounding environment and therefore without being damaged by said water or most importantly boosted uncontrollably in its expansion force. Moreover, said element derives from renewable and non-polluting material.

[0053] It should be noted, according to the present invention, that the substance 5 injected into the wall system according to an appropriately designed geometric grid automatically seeks the cavities 2 that are easier to reach during expansion. In this manner, the substance continues to occupy the cavities until they are saturated, consequently causing an overpressure and a reduction in flow-rate, which can be verified at all times by the monitoring system located at the injection nozzle as described above.

[0054] Another monitoring operation that can be performed during use is the monitoring of any movements, along directions that are substantially perpendicular to the planes of arrangement of the two larger opposite faces of the wall system and therefore horizontally, if the

wall system is vertical, undergone by the wall system or by the entire outer surface of the wall system during the injection of the substance 5. This monitoring is optionally performed by using laser levels or similar instruments that are commercially available and are suitable to detect in real time and continuously any minimum movement of the surfaces of said wall system.

[0055] In the presence of large or in any case appreciable cavities in the wall system that rise to the surface, it is possible to perform interventions prior to the injection of the substance 5 into the wall system. These interventions differ depending on whether the surface of the wall system is in contact with the ground or is exposed, i.e., its surface is free or immersed in water. In the first case it is possible to act beforehand, according to a known type of technique, with injections of expanding substances 10 that have a high degree of expansion and a great expansion pressure along the surface of the wall system directly in contact with the ground, or in the ground at a distance that can vary from 0.20 m to 1.00 m from the surface, as shown in Figures 5 and 6, in order to push the soil or the injected expanding system toward the cavities of the wall system in order to close and block the openings that are present therein and rise to the surface. In the second case, it is possible to act along the surface of the wall system affected by the surfacing of the cavities, for example by applying a sheet of geotextile material 11 or other material and by "spray" covering it by using expanding substances with a high degree of expansion and rapid hardening, as shown in Figure 7. All this can be removed rapidly immediately after the operation for injection into the wall system. To achieve the goal of confinement of the wall system, it is optionally possible to use other methods, so long as they are capable of confining any escape of the substance 5 from the cavities that reach the surface of the wall system.

[0056] In order to define precisely the center distance for performing the injections in the masonry, it is possible to use the system shown in Figure 8, i.e., the method of monitoring the injection performed by introducing closed-end flexible and deformable piezometer pipes 13 into measurement holes made in the wall system 1 in the vicinity of the injection tube 4. Said piezometer pipes 13 are filled with water, and the level of the water is visible in the portion of the piezometer pipes 13 that protrudes upward from the wall system 1. The substance 5, during the filling of the cavities 2 that contain the piezometer pipes 13, by way of its expansion pressure, presses the walls of the piezometer pipes 13, causing the rise of the level of the water contained therein. This non-destructive monitoring allows to identify the space covered by the expanding substance inside the wall system and to design accordingly the center distance of intervention required to consolidate said wall system.

[0057] This non-destructive monitoring system can be used systematically during the injection operations where it is important to check that the wall system has been permeated by the substance 5 in every cavity.

[0058] At the end of the treatment, it is possible to apply to the wall system conventional integrity testing methods, either destructive ones such as coring or others or non-destructive ones such as ultrasound testing or others.

[0059] In practice it has been found that the method according to the invention fully achieves the intended aim, since it allows, in a simple, rapid, effective, permanent, non-destructive and low-cost manner, to restore the structural integrity of deteriorated wall systems, even in the presence of water, in order to increase their mechanical characteristics, reduce their permeability to water flows, reduce their thermal conductivity, and other effects.

[0060] The method thus conceived is susceptible of numerous modifications and variations, all of which are within the scope of the appended claims; all the details may further be replaced with other technically equivalent elements.

Claims

1. A method for repairing and/or waterproofing and/or insulating and/or reinforcing and/or restoring the structural integrity of wall systems, comprising:

-- providing spaced injection holes (3) within a wall system (1);

-- inserting injection tubes (4) in said injection holes (3);

characterized in that

said step for providing spaced injection holes (3) comprises providing said injection holes (3) in specific points of the wall system (1), along substantially vertical directions or along directions that are inclined with respect to the vertical, in a manner suitable to pass through cavities and voids (2) that exist in the wall system (1) and so as to reach the maximum possible number thereof ;

and **in that** it further comprises

-- injecting in said injection holes (3), through said injection tubes (4) while gradually retracting them upward, a substance (5) that expands after injection as a consequence of a chemical reaction, said substance (5) being injected through said injection tubes (4);

said substance (5) being selected so as to have a maximum expansion pressure that is lower than the bursting limit pressure of the wall system (1) in which it is injected.

2. The method according to claim 1, **characterized in that** during injection said injection tubes (4) are retracted gradually, in the opposite direction with respect to insertion, along the corresponding injection holes (3) in order to allow said substance (5) to penetrate the cavities (2) crossed by, or proximate to,

said injection holes (3).

3. The method according to claim 1, **characterized in that** said injection holes (3) are formed substantially at right angles to the largest surface of the cavities (2) inside the wall system (1).

4. The method according to any of claims 1-3, **characterized in that** said substance (5) is constituted by a closed-cell polyurethane foam.

5. The method according to one claims 1 or 4, **characterized in that** said substance (5) is constituted by an MDI isocyanate and a mixture of polyols.

6. The method according to claims 1, 4 or 5, **characterized in that** said substance (5) has a maximum expansion pressure substantially comprised between 20 kPa and 200 kPa.

7. The method according to claims 1, 4, 5 or 6, **characterized in that** said substance (5) has, during expansion, a reduction in the maximum expansion pressure, i.e. a dissipation after a degree of expansion thereof that may be less than 5% of its initial volume.

8. The method according to any of the preceding claims, **characterized in that** said voids or cavities (2) that exist inside said wall system (1) and are reached by said injection holes (3) are voids or cavities (3) formed by disaggregation of blocks or binders interposed between the blocks that form the wall system (1) due to action produced by water, air, or other agents and altering phenomena.

9. The method according to claims 1, 4, 5, 6 or 7, **characterized in that** the reaction times of said substance (5) are comprised between 3 and 60 seconds.

10. The method according to claims 1, 4 or 5, **characterized in that** the process of chemical reaction for expansion and said substance during expansion remain non-altered by water presence.

11. The method according to any of the preceding claims, **characterized in that** said substance (5), once expanded and consolidated, maintains a non-altered state in the presence of water, or water containing acid and/or water rich in sulfates and/or carbonates or salts in general.

12. The method according to claims 1, 4, 5, 6, 7, 9 or 10, **characterized in that** said substance (5), once injected and hardened, has a tensile strength substantially comprised between an average of 180 N/cm² at a density of 200 kg/m³ and 800 N/cm² at a density of 500 kg/m³.

13. The method according to claims 1 or 12, **characterized in that** said substance (5), once injected and hardened, has a compression strength substantially comprised between an average of 200 N/cm² at a density of 200 kg/m³ and 1300 N/cm² at a density of 500 kg/m³. 5
14. The method according to claims 1, 12 or 13, **characterized in that** said substance (5), prior to the beginning of the chemical reaction of expansion, has a viscosity substantially comprised between 200 mPa·s and 300 mPa·s at 20 °C. 10
15. The method according to claims 1, 12, 13 or 14, **characterized in that** viscosity of said substance (5) passes from a value of 200-300 mPa·s to a value that tends to infinity in a time interval comprised between 20 and 150 seconds starting from the beginning of the chemical reaction of expansion of said substance. 15
16. The method according to any of the preceding claims, **characterized in that** said substance (5), once injected and hardened, has a lower relative density than water. 20
17. The method according to any of the preceding claims, **characterized in that** the direction of the longitudinal extension of said injection holes (3) is contained between the planes of arrangement of the two larger opposite faces of the wall system (1). 25
18. The method according to any of the preceding claims, **characterized in that** the distance between two contiguous injection holes (3) is substantially comprised between 0.20 m and 2.00 m. 30
19. The method according to any of the preceding claims, **characterized in that** the diameter of said injection holes (3) is substantially comprised between 4 mm and 40 mm. 35
20. The method according to any of the preceding claims, **characterized in that** said injection tubes (4) have an inlet that is connected to an injection device and multiple outlets for the passage of said substance (5). 40
21. The method according to claim 20, **characterized in that** the overall passage section of said outlets of said injection tubes (4) is greater than the passage section of said inlet. 45
22. The method according to any of the preceding claims, **characterized in that** said injection tubes (4) are constituted by, or treated with, lubricating material in order to facilitate their retraction during the injection of said substance (5). 50
23. The method according to any of the preceding claims, **characterized in that** during the injection of said substance (5) the rate of retraction of the injection tubes (4) is adjusted according to the pressure and/or flow-rate of injection of said substance (5). 55
24. The method according to any of the preceding claims, **characterized in that** it provides means (12) for interrupting the injection of said substance. 60
25. The method according to any of the preceding claims, **characterized in that** the injection pressure is measured by way of a pressure gauge that is arranged upstream of the inlet of said injection tubes (4) and is connected to the feeding tube for injection of said substance (5). 65
26. The method according to any of the preceding claims, **characterized in that** the injection flow-rate is measured by means of a flow-rate measurement device that is arranged upstream of the inlet of said injection tubes (4) and is connected to the tube for feeding the injection of said substance (5). 70
27. The method according to any of the preceding claims, **characterized in that** it comprises detecting the presence of said substance (5) and the pressure applied thereby during expansion at regions of the wall system (1) that are proximate to the regions affected by the injection. 75
28. The method according to any of the preceding claims, **characterized in that** it comprises measuring the presence of said substance (5) and the pressure applied thereby during expansion, in the regions of the wall system (1) that are proximate to the regions affected by the injection, by way of piezometer pipes (13) inserted in measurement holes provided in the wall system (1) at preset distances from the injection holes (3) in which said injection tubes (4) are inserted. 80
29. The method according to any of the preceding claims, **characterized in that** it comprises constantly monitoring during the injection of said substance (5) the movement of the wall system (1) along directions that are substantially perpendicular to the planes of arrangement of the two larger faces of the wall system (1). 85
30. The method according to any of the preceding claims, **characterized in that** it comprises following by way of a monitoring device with laser levels the movement of the wall system (1) along directions that are substantially perpendicular to the planes of arrangement of the two larger faces of the wall system (1). 90

31. The method according to any of the preceding claims, **characterized in that** it comprises preliminary interventions to limit the escape of said substance (5) from outlets of said cavities (2) that lead out of the wall system (1).
32. The method according to any of the preceding claims, **characterized in that** said preliminary interventions consist in performing column-type injections of a substance that expands by chemical reaction in the soil directly in the interface between the soil and the wall system (1) and/or in regions of the ground that are spaced from the wall system (1).
33. The method according to any of the preceding claims, **characterized in that** said preliminary interventions consist in applying a sheet of geotextile fabric (11) to the surface of the wall system (1) where said outlets of the cavities are present and in performing a spray covering of said fabric (11) with a substance (5) that expands by chemical reaction.

Patentansprüche

1. Verfahren zum Reparieren und/oder Abdichten und/oder Isolieren und/oder Verstärken und/oder Wiederherstellen der strukturellen Integrität eines Wandsystems, umfassend:
- Bereitstellen von einander beabstandeten Injektionslöchern (3) innerhalb eines Wandsystems (1);
 - Einsetzen von Injektionsröhren (4) in die Injektionslöcher (3);
- dadurch gekennzeichnet, daß**
- der Schritt zum Bereitstellen von einander beabstandeten Injektionslöchern (3) das Bereitstellen der Injektionslöcher (3) in besonderen Punkten des Wandsystems (1) entlang von im wesentlichen senkrechten Richtungen oder entlang von Richtungen, die hinsichtlich der Vertikalen ansteigend sind, in einer Weise, die dazu geeignet ist, um durch Höhlungen und Lücken (2), die in dem Wandsystem (1) existieren, zu gelangen, und so eine maximal mögliche Anzahl von ihnen zu erreichen, umfasst;
- und dadurch, daß** es weiterhin umfaßt
- Injektion einer Substanz (5) in die Injektionslöcher (3) durch die Injektionsröhren (4), während sie fortschreitend aufwärts eingezogen werden, welche nach der Injektion in Konsequenz einer chemischen Reaktion expandiert, wobei die Substanz (5) durch die Injektionsröhren (4) injiziert wird;
 - wobei die Substanz (5) ausgewählt ist, um einen maximalen Expansionsdruck aufzuweisen, der niedriger ist als der aufbrechende Grenzdruck

des Wandsystems (1), in welches sie injiziert wird.

2. Verfahren nach Anspruch 1, **dadurch gekennzeichnet, daß** während der Injektion die Injektionsröhren (4) fortschreitend in entgegengesetzter Richtung bezüglich des Einsetzens entlang der entsprechenden Injektionslöcher (3) eingezogen werden, um es der Substanz (5) zu erlauben, in die Höhlungen (2), die von den Injektionslöchern (3) gekreuzt werden oder nahe bei ihnen liegen, einzudringen.
3. Verfahren nach Anspruch 1, **dadurch gekennzeichnet, daß** die Injektionslöcher (3) im wesentlichen in rechten Winkeln zu der größten Oberfläche der Höhlungen (2) innerhalb des Wandsystems (1) ausgebildet werden.
4. Verfahren nach einem der Ansprüche 1 bis 3, **dadurch gekennzeichnet, daß** die Substanz (5) durch einen Polyurethanschaum gebildet ist.
5. Verfahren nach Anspruch 1 oder 4, **dadurch gekennzeichnet, daß** die Substanz (5) durch ein MDI Isozyanat und einem Gemisch von Polyolen gebildet ist.
6. Verfahren gemäß der Ansprüche 1, 4 oder 5, **dadurch gekennzeichnet, daß** die Substanz (5) einen maximalen Expansionsdruck von im wesentlichen zwischen 20 kPa und 200 kPa umfaßt.
7. Verfahren gemäß der Ansprüche 1, 4, 5 oder 6, **dadurch gekennzeichnet, daß** die Substanz (5) während der Expansion eine Verminderung des maximalen Expansionsdruckes aufweist, d.h. eine Dissipation nach einem Expansionsgrad, der weniger als 5 % des anfänglichen Volumens sein kann.
8. Verfahren nach einem der vorhergehenden Ansprüche, **dadurch gekennzeichnet, daß** die Lücken oder Höhlungen (2), die innerhalb des Wandsystems (1) existieren und durch die Injektionslöcher (3) erreicht werden, Lücken und Höhlungen (3) sind, die durch Zerfall der Blöcke oder Bindemittel, die zwischen den Blöcken gefügt sind, die das Wandsystem bilden, aufgrund der Wirkung, die durch Wasser, Luft oder anderen Mitteln und sich ändernden Phänomen hervorgerufen werden, gebildet sind.
9. Verfahren gemäß der Ansprüche 1, 4, 5, 6 oder 7, **dadurch gekennzeichnet, daß** die Reaktionszeiten der Substanz (5) zwischen 3 und 60 Sekunden liegen.
10. Verfahren gemäß der Ansprüche 1, 4 oder 5, **dadurch gekennzeichnet, daß** der Vorgang der chemischen Reaktion zur Expansion und die Substanz

während der Expansion durch die Anwesenheit von Wasser unverändert bleiben.

11. Verfahren nach einem der vorhergehenden Ansprüche, **dadurch gekennzeichnet, daß** die Substanz (5) einen nicht veränderten Zustand bei Anwesenheit von Wasser oder einer wasserenthaltenden Säure und/oder Wasser, das reich an Sulfaten und/oder Carbonaten oder Salzen im allgemeinen ist, beibehält, wenn sie einmal expandiert und gefestigt ist. 5
12. Verfahren gemäß der Ansprüche 1, 4, 5, 6, 7, 9 oder 10, **dadurch gekennzeichnet, daß** die Substanz (5) eine Zugfestigkeit von im wesentlichen zwischen einem Durchschnitt von 180 N/cm² bei einer Dichte von 200 kg/m³ und 800 N/cm² bei einer Dichte von 500 kg/m³ aufweist, wenn sie einmal injiziert und ausgehärtet ist. 10
13. Verfahren nach Anspruch 1 oder 12, **dadurch gekennzeichnet, daß** die Substanz (5) eine Druckfestigkeit von im wesentlichen zwischen einem Durchschnitt von 200 N/cm² bei einer Dichte von 200 kg/m³ und 1300 N/cm² bei einer Dichte von 500 kg/m³ aufweist, wenn sie einmal injiziert und ausgehärtet ist. 15
14. Verfahren gemäß der Ansprüche 1, 12 oder 13, **dadurch gekennzeichnet, daß** die Substanz (5) eine Viskosität von im wesentlichen zwischen 200 mPa·s und 300 mPa·s bei 20°C vor dem Beginn der chemischen Reaktion der Expansion aufweist. 20
15. Verfahren gemäß der Ansprüche 1, 12, 13 oder 14, **dadurch gekennzeichnet, daß** die Viskosität der Substanz (5) von einem Wert von 200-300 mPa·s zu einem Wert, der gegen unendlich geht, in einem Zeitintervall zwischen 20 und 150 Sekunden, startend von dem Beginn der chemischen Reaktion der Expansion der Substanz, durchfährt. 25
16. Verfahren nach einem der vorhergehenden Ansprüche, **dadurch gekennzeichnet, daß** die Substanz (5) eine geringere relative Dichte als Wasser aufweist, wenn sie einmal injiziert und ausgehärtet ist. 30
17. Verfahren nach einem der vorhergehenden Ansprüche, **dadurch gekennzeichnet, daß** die Richtung der länglichen Erstreckung der Injektionslöcher (3) zwischen den Ebenen der Anordnung der beiden größeren gegenüberliegenden Oberflächen des Wandsystems (1) enthalten ist. 35
18. Verfahren nach einem der vorhergehenden Ansprüche, **dadurch gekennzeichnet, daß** der Abstand zwischen zwei angrenzenden Injektionslöchern (3) im wesentlichen zwischen 0,20 m und 2,00 m liegt. 40
19. Verfahren nach einem der vorhergehenden Ansprüche, **dadurch gekennzeichnet, daß** der Durchmesser der Injektionslöcher (3) im wesentlichen zwischen 4 mm und 40 mm liegt. 45
20. Verfahren nach einem der vorhergehenden Ansprüche, **dadurch gekennzeichnet, daß** die Injektionsröhren (4) einen mit einer Injektionsvorrichtung verbundenen Eingang und mehrere Ausgänge für den Durchlaß der Substanz (5) aufweisen. 50
21. Verfahren nach Anspruch 20, **dadurch gekennzeichnet, daß** der Gesamtdurchgangsabschnitt der Ausgänge der Injektionsröhren (4) größer als der Durchgangsabschnitt des Einganges ist. 55
22. Verfahren nach einem der vorhergehenden Ansprüche, **dadurch gekennzeichnet, daß** die Injektionsröhren (4) mit einem einfettenden Material gebildet oder behandelt sind, um ihr Einziehen während der Injektion der Substanz (5) zu vereinfachen.
23. Verfahren nach einem der vorhergehenden Ansprüche, **dadurch gekennzeichnet, daß** das Maß des Einziehens der Injektionsröhren (4) während der Injektion der Substanz (5) gemäß der Druck- und/oder Flußrate der Injektion der Substanz (5) eingestellt wird.
24. Verfahren nach einem der vorhergehenden Ansprüche, **dadurch gekennzeichnet, daß** Mittel (12) geschaffen sind, um die Injektion der Substanz zu unterbrechen.
25. Verfahren nach einem der vorhergehenden Ansprüche, **dadurch gekennzeichnet, daß** der Injektionsdruck durch eine Druckeichung gemessen wird, die stromaufwärts in dem Eingang der Injektionsröhren (4) angeordnet ist und mit der zuführenden Röhre zur Injektion der Substanz (5) verbunden ist.
26. Verfahren nach einem der vorhergehenden Ansprüche, **dadurch gekennzeichnet, daß** die Flußrate der Injektion mittels einer Flußratenmeßvorrichtung gemessen wird, welche stromaufwärts in dem Eingang der Injektionsröhren (4) angeordnet ist und mit der Röhre zum Zuführen der Injektion der Substanz (5) verbunden ist.
27. Verfahren nach einem der vorhergehenden Ansprüche, **dadurch gekennzeichnet, daß** es die Anwesenheit der Substanz (5) und den während der Expansion bei den Bereichen des Wandsystems (1), die nahe den durch die Injektion betroffenen Bereichen liegen, aufgebracht Druck erfaßt.
28. Verfahren nach einem der vorhergehenden Ansprüche, **dadurch gekennzeichnet, daß** es das Messen

der Anwesenheit der Substanz (5) und den Druck umfaßt, der während der Expansion in den Bereichen des Wandsystems (1), die nahe den durch die Injektion betroffenen Bereichen liegen, aufgebracht wird, mittels Piezometerröhren (13), die in die Meßlöcher eingesetzt sind, die in dem Wandsystem (1) an vorbestimmten Abständen von den Injektionslöchern (3), in welchen die Injektionsröhren (4) eingesetzt sind, vorgesehen sind.

29. Verfahren nach einem der vorhergehenden Ansprüche, **dadurch gekennzeichnet, daß** es das ununterbrochene Überwachen der Bewegung des Wandsystems (1) entlang von Richtungen, die im wesentlichen senkrecht zu den Ebenen der Anordnung der zwei größten Flächen des Wandsystems (1) sind, während der Injektion der Substanz (5) umfaßt.

30. Verfahren nach einem der vorhergehenden Ansprüche, **dadurch gekennzeichnet, daß** es das Verfolgen der Bewegung des Wandsystems (1) entlang der Richtungen, die im wesentlichen senkrecht zu den Ebenen der Anordnung der beiden größten Oberflächen des Wandsystems (1) liegen, mittels einer Überwachungsvorrichtung mit Laserebenen umfaßt.

31. Verfahren nach einem der vorhergehenden Ansprüche, **dadurch gekennzeichnet, daß** es vorläufige Eingriffe umfaßt, um die Flucht der Substanz (5) von Ausgängen aus den Höhlungen (2) zu begrenzen, die aus dem Wandsystem (1) herausführen.

32. Verfahren nach einem der vorhergehenden Ansprüche, **dadurch gekennzeichnet, daß** die vorläufigen Eingriffe aus dem Durchführen von säulenartigen Injektionen einer Substanz bestehen, die durch chemische Reaktion in dem Erdreich direkt an der Schnittstelle zwischen dem Erdreich und dem Wandsystem (1) und/oder in den Bereichen des Bodens, die von dem Wandsystem (1) beabstandet sind, expandiert.

33. Verfahren nach einem der vorhergehenden Ansprüche, **dadurch gekennzeichnet, daß** die vorläufigen Eingriffe im Aufbringen eines geotextilen Gewebes (11) dort auf die Oberfläche des Wandsystems (1) bestehen, wo die Ausgänge der Höhlungen vorhanden sind, und im Durchführen einer Sprühbedeckung des Gewebes (11) mit einer Substanz (5), die durch chemische Reaktion expandiert.

Revendications

1. Procédé de réparation et/ou d'étanchéité et/ou d'isolation et/ou de renforcement et/ou de rétablissement de l'intégrité structurelle de systèmes de mur, com-

prenant les étapes consistant à :

--fournir des trous d'injection espacés (3) à l'intérieur d'un système de mur (1) ;

-- insérer des tubes d'injection (4) dans lesdits trous d'injection (3) ;

caractérisé en ce que

ladite étape consistant à fournir des trous d'injection espacés (3) comprend la fourniture desdits trous d'injection (3) en des points spécifiques du système de mur (1), dans les directions essentiellement verticales ou les directions qui sont inclinées par rapport à la verticale, d'une manière appropriée afin de passer à travers des cavités et des vides (2) qui existent dans le système de mur (1) et de sorte à atteindre le nombre maximal possible de ceux-ci ;

et **en ce qu'**il comprend l'étape consistant à

-- injecter dans lesdits trous d'injection (3) à travers lesdits tubes d'injection (4) tout en les rétractant progressivement vers le haut, une substance (5) qui se dilate après l'injection suite à une réaction chimique, ladite substance (5) étant injectée à travers lesdits tubes d'injection (4) ;

ladite substance (5) étant choisie afin d'avoir une pression d'expansion maximale qui est inférieure à la pression limite d'explosion du système de mur (1) dans lequel elle est injectée.

2. Procédé selon la revendication 1, **caractérisé en ce que** lors de l'injection, lesdits tubes d'injection (4) se rétractent progressivement dans la direction opposée par rapport à l'insertion, le long des orifices d'injection (3) correspondants afin de permettre à ladite substance (5) de pénétrer dans les cavités (2) traversées par, ou à proximité de, lesdits trous d'injection (3).

3. Procédé selon la revendication 1, **caractérisé en ce que** lesdits trous d'injection (3) sont formés sensiblement à angles droits par rapport à la plus grande surface des cavités (2) à l'intérieur du système de mur (1).

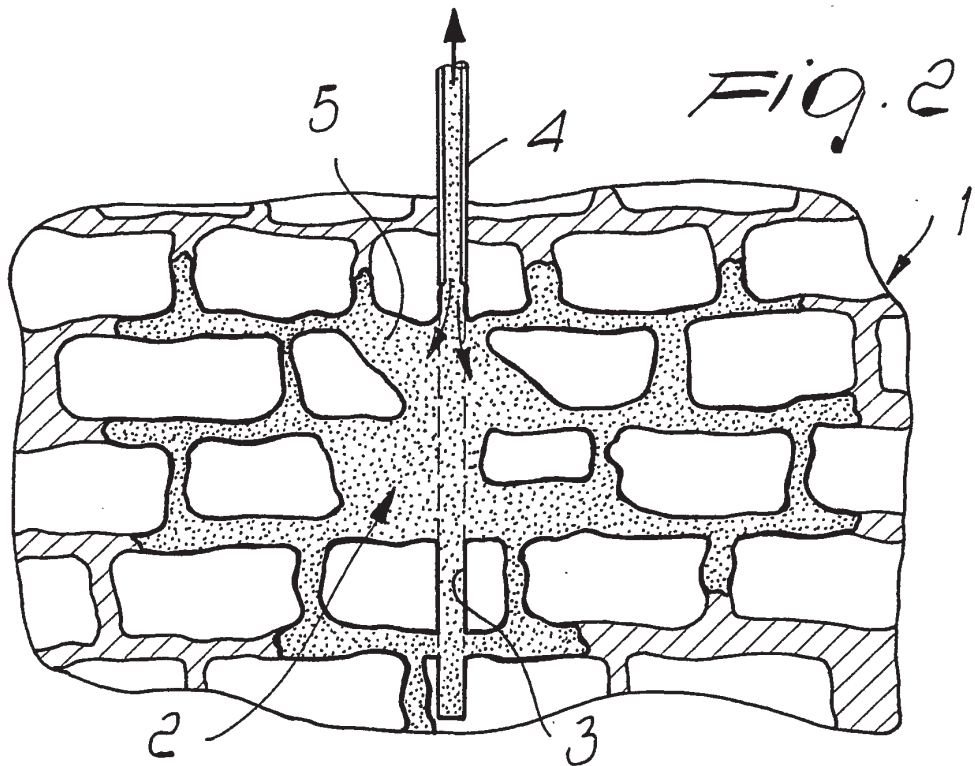
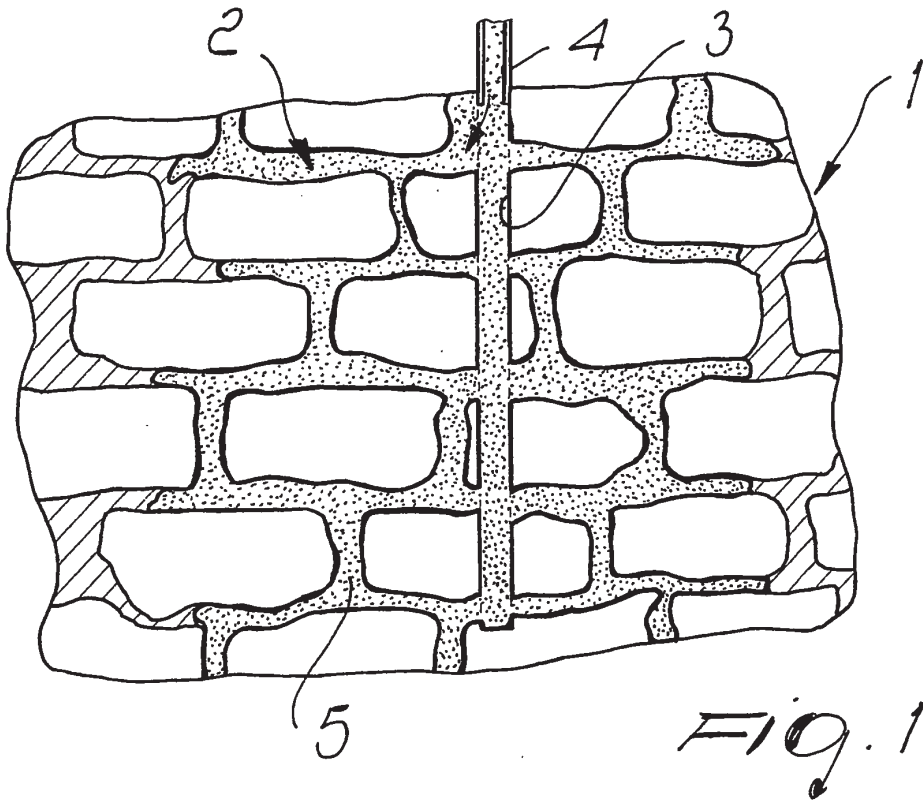
4. Procédé selon l'une quelconques des revendications 1 à 3, **caractérisé en ce que** ladite substance (5) est constituée par une mousse de polyuréthane à cellules fermées.

5. Procédé selon la revendication 1 ou 4, **caractérisé en ce que** ladite substance (5) est constituée par un isocyanate MDI et un mélange de polyols.

6. Procédé selon la revendication 1, 4 ou 5, **caractérisé en ce que** ladite substance (5) a une pression d'expansion maximale sensiblement comprise entre 20 kPa et 200 kPa.

7. Procédé selon la revendication 1, 4, 5 ou 6, **caractérisé en ce que** ladite substance (5) montre, au cours de l'expansion, une réduction de la pression d'expansion maximale, c'est-à-dire une dissipation après un certain degré d'expansion de celle-ci qui peut être inférieure à 5 % de son volume initial. 5
8. Procédé selon l'une quelconque des revendications précédentes, **caractérisé en ce que** lesdits vides ou lesdites cavités (2) qui existent à l'intérieur dudit système de mur (1) et sont atteints par lesdits trous d'injections (3) sont des vides ou des cavités (3) formé(e)s par désagrégation de blocs ou de liants intercalés entre les blocs qui forment le système de mur (1) sous l'action produite par l'eau, l'air ou d'autres agents étalérant le phénomène. 10
9. Procédé selon la revendication 1, 4, 5, 6 ou 7, **caractérisé en ce que** les temps de réaction de ladite substance (5) sont compris entre 3 et 60 secondes. 15
10. Procédé selon la revendication 1, 4 ou 5, **caractérisé en ce que** le procédé de réaction chimique pour l'expansion et ladite substance au cours de l'expansion ne sont pas altérés par la présence de l'eau. 20
11. Procédé selon l'une quelconque des revendications précédentes, **caractérisé en ce que** ladite substance (5), une fois expansée et consolidée, conserve un état non altéré, en présence d'eau, ou d'eau contenant un acide et/ou d'eau riche en sulfates et/ou en carbonates ou de sels en général. 25
12. Procédé selon Procédé selon la revendication 1, 4, 5, 6, 7, 9 ou 10, **caractérisé en ce que** ladite substance (5), une fois injectée et durcie, possède une résistance à la traction sensiblement comprise entre une moyenne de 180 N/cm² à une densité de 200 kg/m³ et de 800 N/cm² à une densité de 500 kg/m³. 30
13. Procédé selon la revendication 1 ou 12, **caractérisé en ce que** ladite substance (5), une fois injectée et durcie, possède une résistance à la compression sensiblement comprise entre une moyenne de 200 N/cm² à une densité de 200 kg/m³ et 1300 N/cm² à une densité de 500 kg/m³. 35
14. Procédé selon la revendication 1, 12 ou 13, **caractérisé en ce que** ladite substance (5), avant le début de la réaction chimique d'expansion, présente une viscosité sensiblement comprise entre 200 mPa.s et 300 mPa.s à 20 °C. 40
15. Procédé selon la revendication 1, 12, 13 ou 14, **caractérisé en ce que** la viscosité de ladite substance (5) passe d'une valeur de 200 à 300 mPa.s à une valeur qui tend vers l'infini dans un intervalle de temps compris entre 20 et 150 secondes à partir du 45
- début de la réaction chimique d'expansion de ladite substance.
16. Procédé selon l'une quelconque des revendications précédentes, **caractérisé en ce que** ladite substance (5), une fois injectée et durcie, présente une densité relative plus faible que l'eau. 50
17. Procédé selon l'une quelconque des revendications précédentes, **caractérisé en ce que** la direction de l'extension longitudinale desdits trous d'injection (3) est contenue entre les plans d'agencement des deux faces opposées les plus grandes du système de mur (1). 55
18. Procédé selon l'une quelconque des revendications précédentes, **caractérisé en ce que** la distance entre deux trous d'injection (3) contigus est sensiblement comprise entre 0,20 m et 2,00 m.
19. Procédé selon l'une quelconque des revendications précédentes, **caractérisé en ce que** le diamètre desdits trous d'injection (3) est sensiblement compris entre 4 mm et 40 mm.
20. Procédé selon l'une quelconque des revendications précédentes, **caractérisé en ce que** lesdits tubes d'injection (4) présentent une entrée qui est reliée à un dispositif d'injection et de multiples sorties pour le passage de ladite substance (5).
21. Procédé selon la revendication 20, **caractérisé en ce que** la section de passage globale desdites sorties desdits tubes d'injection (4) est plus grande que la section de passage de ladite entrée.
22. Procédé selon l'une quelconque des revendications précédentes, **caractérisé en ce que** lesdits tubes d'injection (4) se composent de, ou sont traités avec, une matière lubrifiante afin de faciliter leur rétraction lors de l'injection de ladite substance (5).
23. Procédé selon l'une quelconque des revendications précédentes, **caractérisé en ce que** lors de l'injection de ladite substance (5), le taux de rétraction des tubes d'injection (4) est ajusté en fonction de la pression et/ou du débit d'injection de ladite substance (5).
24. Procédé selon l'une quelconque des revendications précédentes, **caractérisé en ce qu'**il fournit un moyen (12) pour interrompre l'injection de ladite substance.
25. Procédé selon l'une quelconque des revendications précédentes, **caractérisé en ce que** la pression d'injection est mesurée au moyen d'une jauge de pression qui est placée en amont de l'entrée desdits tubes d'injection (4) et est reliée au tube d'alimentation

- pour l'injection de ladite substance (5).
26. Procédé selon l'une quelconque des revendications précédentes, **caractérisé en ce que** le débit d'injection est mesuré au moyen d'un dispositif de mesure de débit qui est placé en amont de l'entrée desdits tubes d'injection (4) et est relié au tube d'alimentation pour l'injection de ladite substance (5). 5
27. Procédé selon l'une quelconque des revendications précédentes, **caractérisé en ce qu'il** comprend la détection de la présence de ladite substance (5) et de la pression appliquée au cours de l'expansion au niveau des zones du système de mur (1) qui sont proches des zones concernées par l'injection. 10 15
28. Procédé selon l'une quelconque des revendications précédentes, **caractérisé en ce qu'il** comprend la mesure de la présence de ladite substance (5) et de la pression appliquée au cours de l'expansion, dans les zones du système de mur (1) qui sont proches des zones concernées par l'injection, au moyen de tubes piézométriques (13) insérés dans des trous de mesure prévus dans le système de mur (1) à des distances prédéfinies des trous d'injection (3) dans lesquels lesdits tubes d'injection (4) sont insérés. 20 25
29. Procédé selon l'une quelconque des revendications précédentes, **caractérisé en ce qu'il** comprend la surveillance constante pendant l'injection de ladite substance (5) du mouvement du système de mur (1) le long des directions qui sont sensiblement perpendiculaires aux plans d'agencement des deux faces les plus grandes du système de mur (1). 30 35
30. Procédé selon l'une quelconque des revendications précédentes, **caractérisé en ce qu'il** comprend la surveillance par le biais d'un dispositif de surveillance avec des niveaux laser du mouvement du système de mur (1) le long des directions qui sont sensiblement perpendiculaires aux plans d'agencement des deux faces les plus grandes du système de mur (1). 40
31. Procédé selon l'une quelconque des revendications précédentes, **caractérisé en ce qu'il** comprend des interventions préliminaires pour limiter l'échappement de ladite substance (5) des sorties desdites cavités (2) qui mènent en dehors du système de mur (1). 45 50
32. Procédé selon l'une quelconque des revendications précédentes, **caractérisé en ce que** lesdites interventions préliminaires consistent à réaliser des injections du type colonne d'une substance qui se dilate par réaction chimique dans le sol directement à l'interface entre le sol et le système de mur (1) et/ou dans des zones du sol qui sont espacées du système 55
- de mur (1).
33. Procédé selon l'une quelconque des revendications précédentes, **caractérisé en ce que** lesdites interventions préliminaires consistent à appliquer une feuille de tissu géotextile (11) sur la surface du système de mur (1) lorsque lesdites sorties des cavités sont présentes et à effectuer une pulvérisation recouvrant ledit tissu (11) avec une substance (5) qui se dilate par réaction chimique.



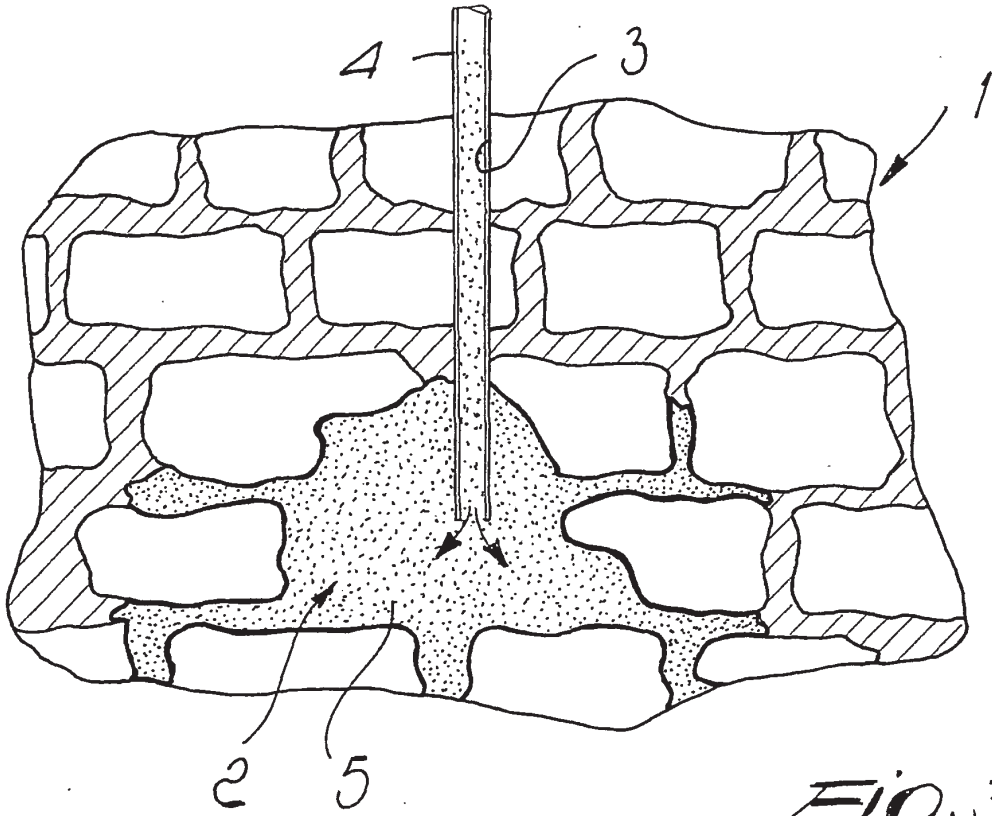


Fig. 3

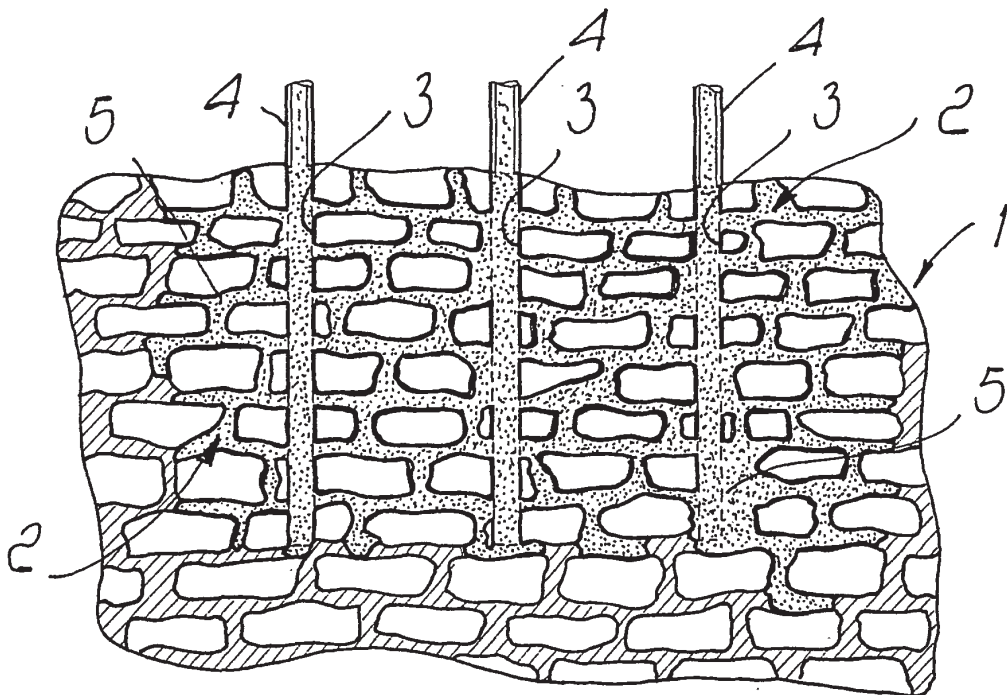
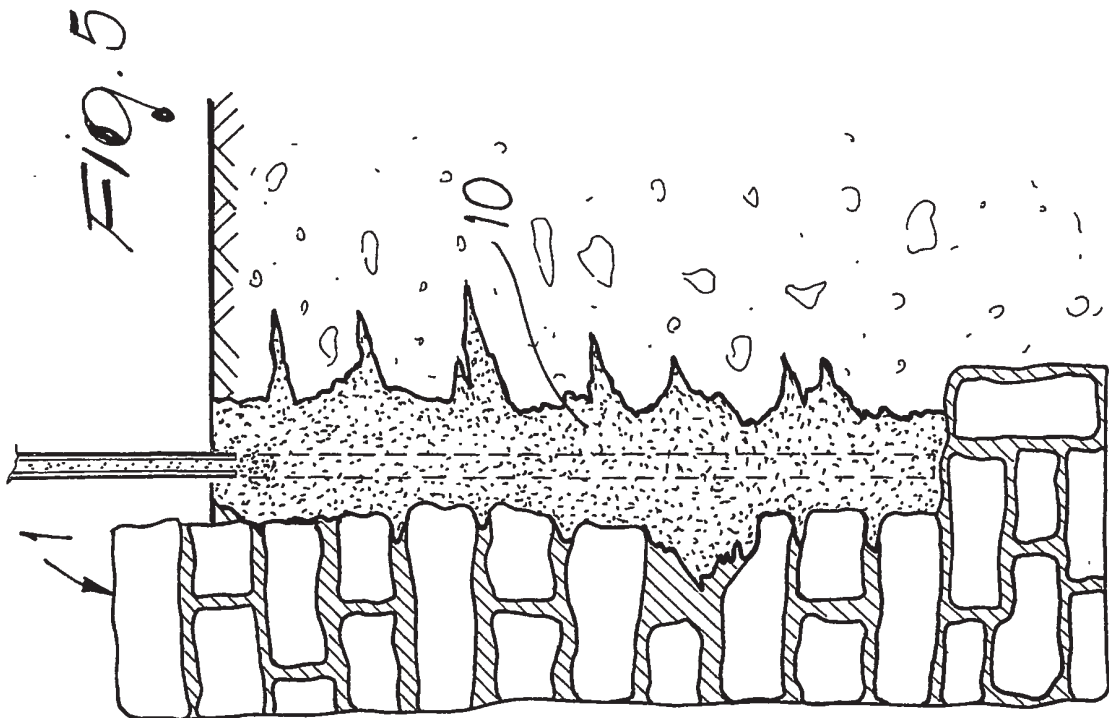
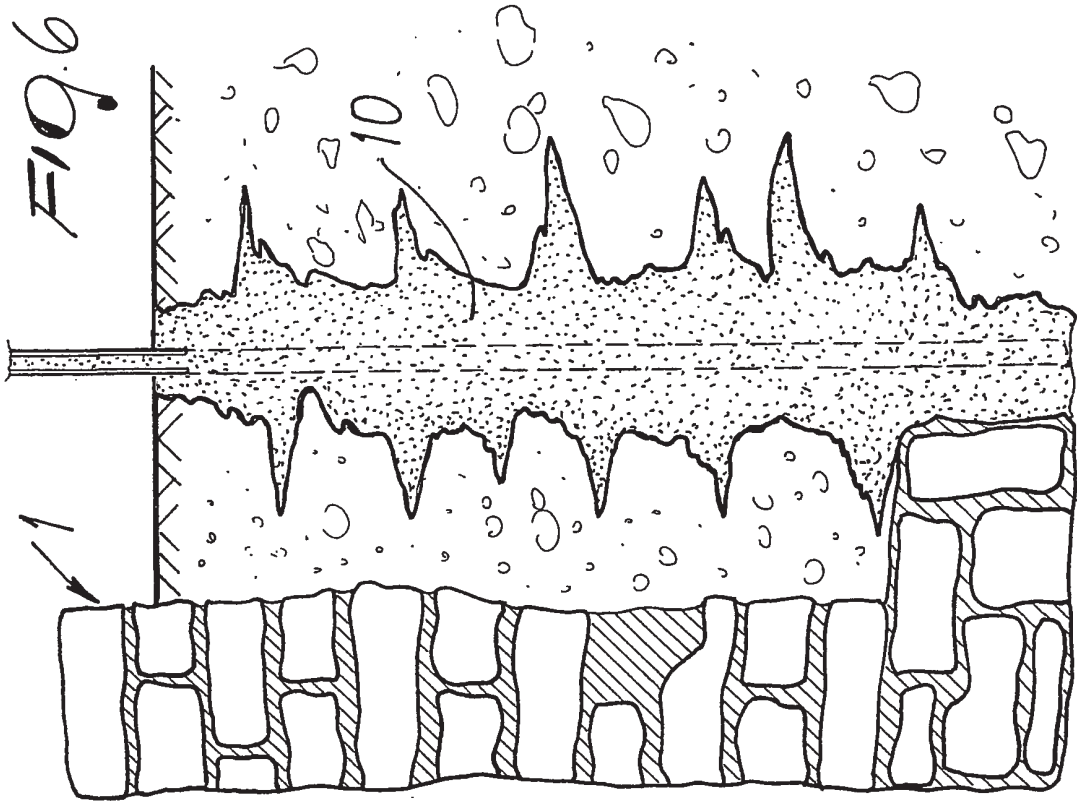


Fig. 4



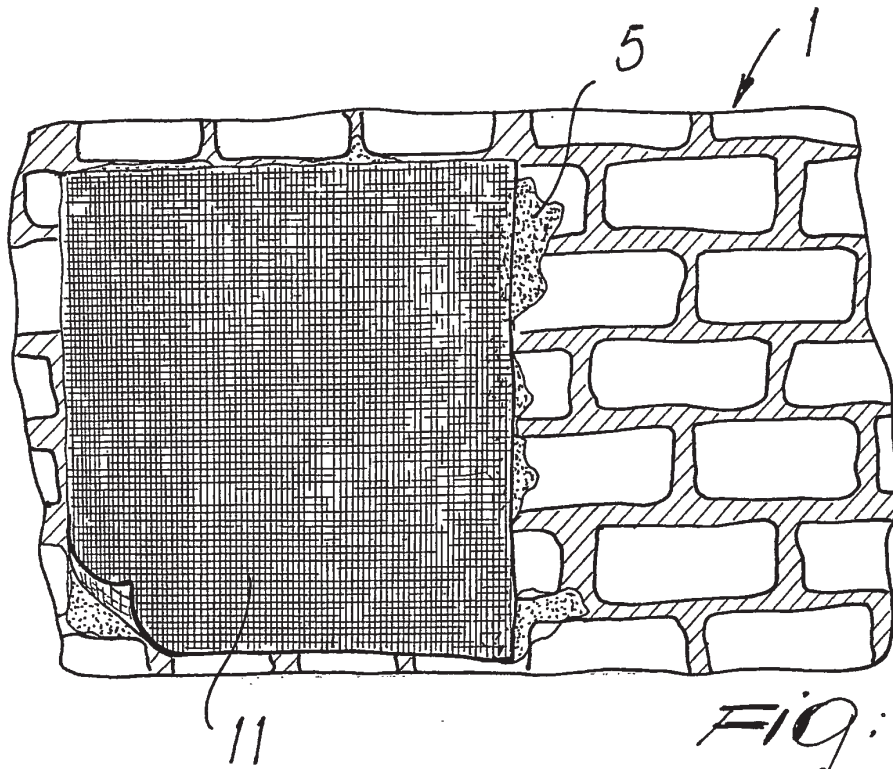


FIG. 7

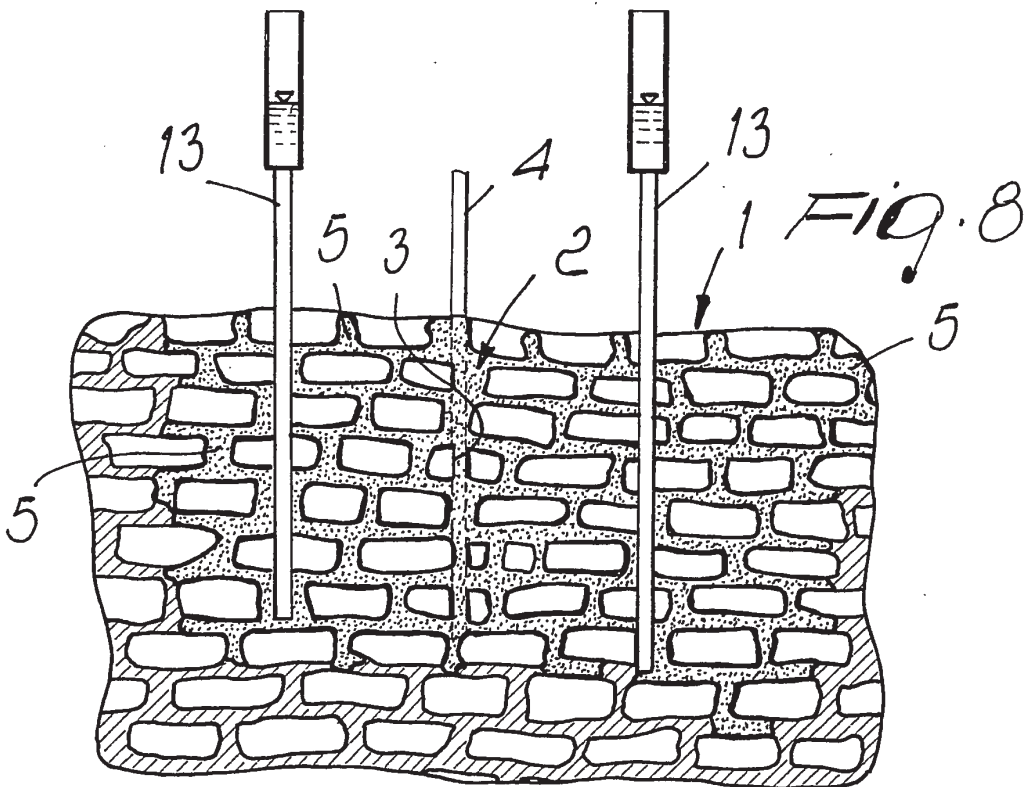


FIG. 8

REFERENCES CITED IN THE DESCRIPTION

This list of references cited by the applicant is for the reader's convenience only. It does not form part of the European patent document. Even though great care has been taken in compiling the references, errors or omissions cannot be excluded and the EPO disclaims all liability in this regard.

Patent documents cited in the description

- DE 19653282 [0012]
- US 6309493 B [0012]